

Main specifications

▼ **Pressure connection**
 M20 x 1.5, G 1/2" ,
 1/4" -18NPT
 Sealed with O-ring
 O-ring material:
 NBR (standard) / Viton (Option)

▼ **Electrical connection**
 Hirschmann / Wire boot /
 Packard / Aviation plug

▼ **Differential pressure range**
 10kPa, 35kPa, 70kPa, 100kPa,
 250kPa, 400kPa, 600kPa,
 1MPa, 1.6MPa, 2.5MPa

▼ **Applicable fluid**
 Gas and liquid that compatible
 with stainless steel

▼ **Temperature range**
 Operating temperature:
 -40~+125°C
 Compensated temperature:
 0~+60°C (Option: others
 available upon requests)
 Storage temperature:
 -40~+125°C

▼ **Oil filling**
 Silicone oil / Olive oil (for
 sanitary application)

▼ **Vibration test**
 20g (20-5000Hz)

▼ **Protection level**
 IP 65 (Hirschmann connector)
 IP 66 (Wire boot)
 IP 67 (Aviation plug and
 Packard connector)

Other Specifications

▼ **Housing**
 SS 304 (SS316 for sensor inside)

▼ **Power supply**
 24VDC / 5VDC

▼ **Output signal**
 Two-wire system:
 4~20mA
 Three-wire system:
 0.5 to 4.5V

▼ **Measuring elements**
 Piezoresistive silicon chip

▼ **Static pressure**
 4MPa (max.)

▼ **Insulation resistance**
 > 100MΩ/250VDC

▼ **Bridge resistance**
 Min. 2600Ω
 Max. 5500Ω

▼ **Zero & span temp. drift**
 ±1.5% F.S. max. (0-60°C)

▼ **Accuracy**
 ±0.5% F.S. (Option: others
 available upon requests)

▼ **Stability**
 ±0.3% F.S. / year

▼ **Operating pressure**
 Low pressure port overpressure:
 1* full scale, < 1Mpa
 High pressure port overpressure:
 2* full scale

▼ **Wire**
 Size: 39 x Ø 0.015
 Silicon shielded (200°C heat
 resistance)
 4 wire (typical) / 5 wire (option)

▼ **Weight**
 470g

Differential Pressure Transmitter

Model: DPT

Introduction

DPT differential pressure transmitter adopts high sensitive piezoresistive silicon chip, which is a standard product for general differential pressure measurement.

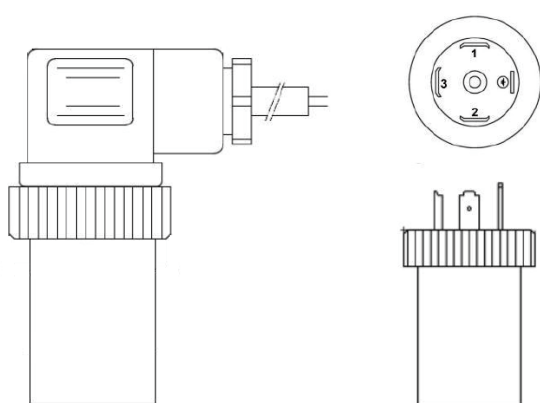


Due to the variety of customization, the picture is only for reference, please confirm the actual item with our sales. (If there is any change on specification, please take the latest version as standard.)

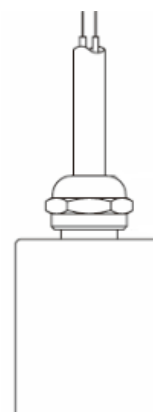
Features

- OEM service
- Differential pressure transmitter
- Adopts high sensitive piezoresistive silicon chip
- Long term stability
- MEMS technology

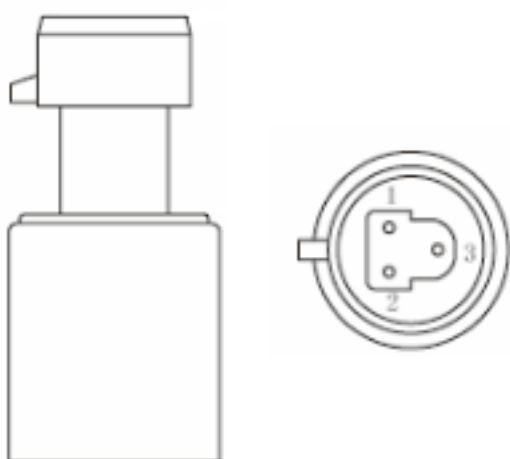
Electrical connection



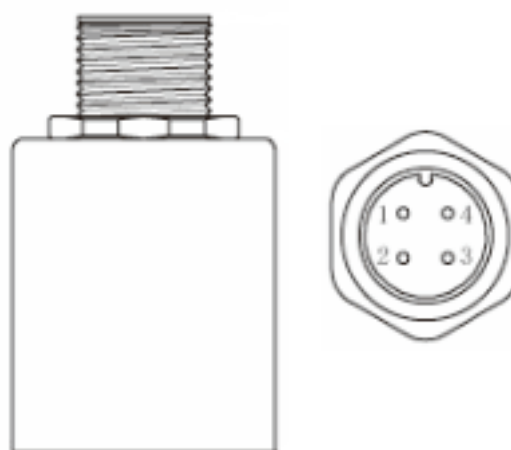
Hirschmann (DIN 43650) connector		
2 wire (current)	Pin 1	+ Power supply
	Pin 2	Current Output
3 wire (voltage)	Pin 1	+ Power supply
	Pin 2	- Power supply
	Pin 3	Voltage Output



Wire boot		
Two-wire system (current)	Red wire	+ Power supply
	Green wire	Current Output
Three-wire system (voltage)	Red wire	+ Power supply
	Blue wire	Ground
	Yellow wire	Voltage Output



Packard connector		
2 wire (current)	Pin 1	+ Power supply
	Pin 2	Current Output
3 wire (voltage)	Pin 1	+ Power supply
	Pin 2	Ground
	Pin 3	Voltage Output



Aviation plug		
2 wire (current)	Red wire	+ Power supply
	Green wire	Current Output
3 wire (voltage)	Red wire	+ Power supply
	Blue wire	Ground
	Yellow wire	Voltage Output

How to order

DPT		Differential Pressure Transmitter				
Code	Differential Pressure range					
Custom	10kPa, 35kPa, 70kPa, 100kPa, 250kPa, 400kPa, 600kPa, 1MPa, 1.6MPa, 2.5MPa					
Code	Pressure connection					
M	M20x1.5					
G	G1/2"					
N	1/4" -18NPT					
O	Others (please specify)					
Code	Electrical connection					
H	Hirschmann (DIN43650)					
W	Wire boot					
P	Packard					
A	Aviation plug					
Code	Output signal					
I	4-20mA					
V	0.5 to 4.5V					
Code	Power supply					
5V	5VDC					
24V	24VDC					
Code	Other requests					
/A	Third party notarized document					
/B	Inspection report (issued by Re-Atlantis)					
/C	Tag					
/D	Install a display unit					
/D	Oil filling: olive oil					
/E	O-ring material: Viton					
/F	5 wire					
/G	High accuracy standard					
/H	Specify compensated temperature range					
DPT	1MPa	G	H	I	24V	Order example: DPT - 1MPa - G- H - I - 24V