

Main Specifications

- ▼ **Size**
1.25" , 1.5" , 2" , 2.5" , 3" , 4" , 4.5" , 6" , 8" , 10"
- ▼ **Installation type**
Bottom mount (A) /
Bottom mount with flange (B) /
Back mount (ADC) /
Back mount with flange (centric thread) (BDC) /
Back mount with flange (eccentric thread) (BDE) /
Back mount with U-clamp (UDC)
- ▼ **Window**
PC / Glass
Option: Safety glass
PE gasket
- ▼ **Pressure connection**
Material: copper alloy, electroplated screw threads
Thread size:
1/8" , 1/4" , 3/8" , 1/2"
Thread type: BSPT, NPT, PF
- ▼ **Pressure range**
Gauge pressure ▼
0...0.6 to 350 bar
Negative pressure ▼
-1...0bar / -76...0cmHg
Compound pressure ▼
-1...0 to 20bar
- ▼ **Applicable fluid**
Non-viscous and crystalline liquids and gases compatible with the connecting section
- ▼ **Ambient temperature**
-20°C to +60°C
- ▼ **Fluid temperature**
+60°C
- ▼ **Temperature error**
Every ±12 °C
max. error: ±0.3% F.S

Other Specifications

- ▼ **Ring**
Steel with black enamel
Screw fixed
- ▼ **Back housing**
Steel with black enamel
- ▼ **Pointer**
Aluminum with black enamel
- ▼ **Dial face**
Blue and black scale
Pressure unit, scale, & color can be customized upon request
- ▼ **Measuring elements**
Bourdon tube
Material: copper alloy
- ▼ **Movement**
Copper alloy
- ▼ **Accuracy**
±2.5% F.S.(Below Ø2")
±2.0% F.S.(Ø2" ~Ø10")
- ▼ **Operating pressure**
Stabilization: 3/4* full scale
Fluctuation: 2/3* full scale
Impulse: 1* full scale
- ▼ **Other requests**
Third party notary report
Inspection report
Tag
Install diaphragm seal
Internal stop pin (Over-pressure protection)
Dampened movement / Oil cup
Window - Safety glass
Peak hold pointer
Epoxy coating
Chrome-plated ring
Chrome-plated thread
Chrome-plated case
Silver solder welding - max fluid temperature can up to +180°C

Black Steel Case Pressure Gauge

Model: EPG

Introduction

Basic screw-type black iron shell pressure gauge, available in various diameters and installation types, commonly used in mechanical equipment and pipelines that do not experience significant pulsation or vibration. It is suitable for measuring non-corrosive media compatible with the connection parts.



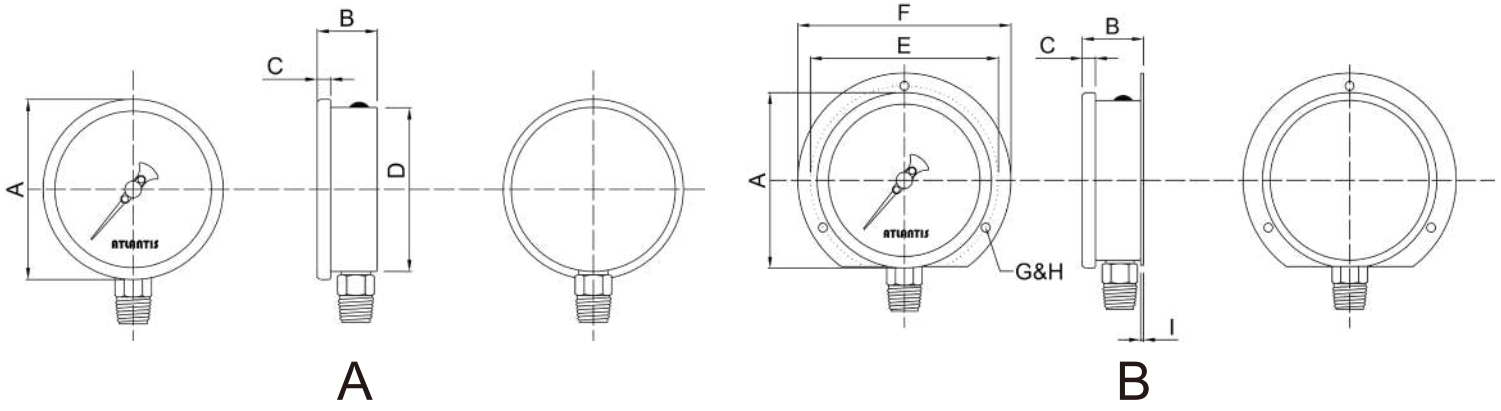
Due to the variety of customization, the picture is only for reference, please confirm the actual item with our sales. (If there is any change on specification, please take the latest version as standard.)

Features

- OEM service
- Affordable price
- General type pressure gauge

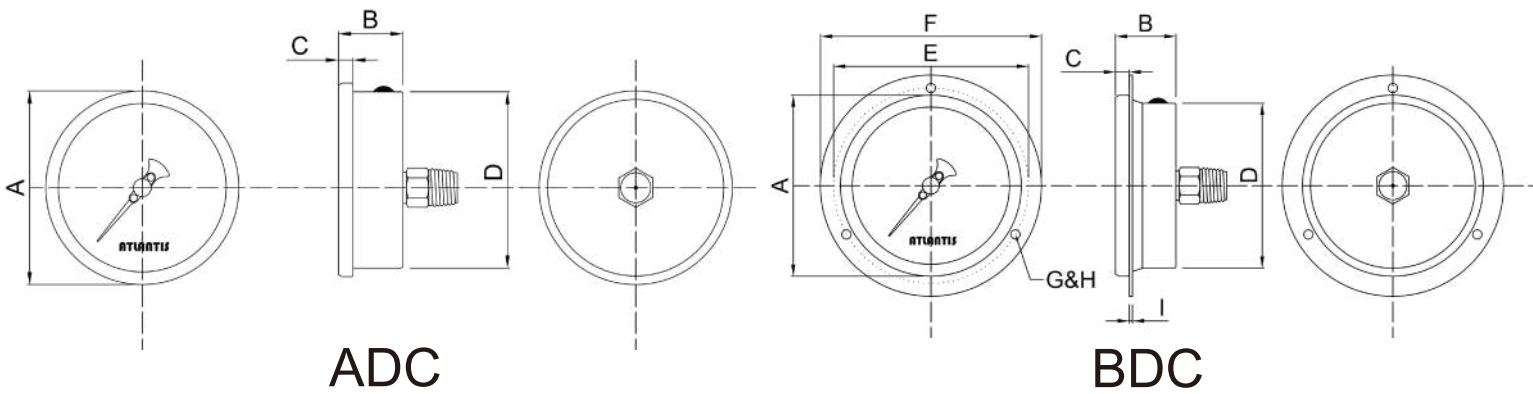


Installation Type



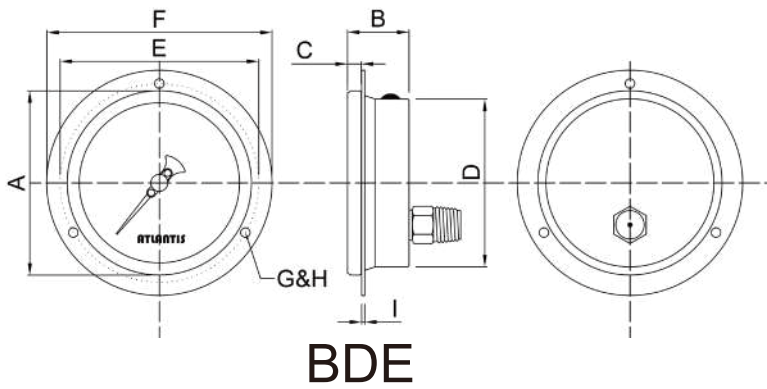
A

B

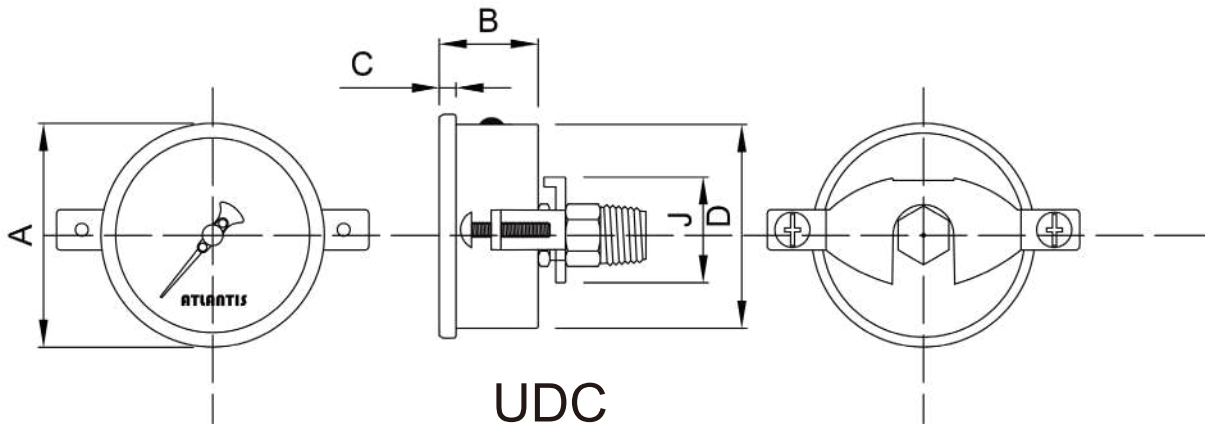


ADC

BDC



BDE



UDC

Installation type	1.25"	1.5"	2"	2.5"	3"	4"	4.5"	6"	8"	10"
A		●	●	●	●	●	●	●	●	●
B				●	●	●		●	●	●
ADC	●	●	●	●	●					
BDC			●	●	●	●		●		
BDE						●		●		
UDC			●	●						

How to Order

EPG Black Steel Case Pressure Gauge										
Std.	Spec.	Code	Item	Code	Item	Code	Item	Code	Item	
04	Size	0125	1.25"	015	1.5"	02	2"	025	2.5"	
		03	3"	04	4"	045	4.5"	06	6"	
		08	8"	10	10"	–	–	–	–	
A	Type	A	Bottom mount	B	Bottom mount with flange	ADC	Back mount (Centric thread)	BDC	Back mount with flange (Centric thread)	
		BDE	Back mount with flange (Eccentric thread)	UDC	Back mount with U-clamp	–	–	–	–	
C	Pressure connection	C	Copper alloy	E	Electroplated screw threads	O	Others	–	–	
C	Bourdon tube material	C	Copper alloy	O	Others	–	–	–	–	
3	Thread size	1	1/8"	2	1/4"	3	3/8"	4	1/2"	
P	Thread type	P	BSPT	N	NPT	F	PF	O	Others	
Custom	Pressure range	Gauge pressure – (0…0.6 to 350bar) Negative pressure – (-1…0bar) Compound pressure – (-1…0…0.6 to 20bar) Customized pressure unit (psi, bar, kPa, kg/cm ² , MPa, inHg, mmHg, cmHg, etc…), Single / Dual scale.								
A	Accuracy	A	±2.5%F.S.	B	±2.0% F.S.	–	–	–	–	
/B	Other Demands	/A	Third party notary report			/B	Inspection report			
		/C	Tag			/D	Customized dial face (scale, color, unit, etc.)			
		/E	Install diaphragm seal			/F	Internal stop pin (Over-pressure protection)			
		/G	Dampened movement / Oil cup			/H	Window – Safety glass			
		/I	Peak hold pointer			/J	Epoxy coating			
		/K	Chrome-plated ring			/L	Chrome-plated thread			
		/M	Chrome-plated case			/N	Silver solder welding - max fluid temperature can up to +180°C			

Order example: EPG - 04 - A - C - C - 3 - P - (0…0.6 to 10bar) - A - /B